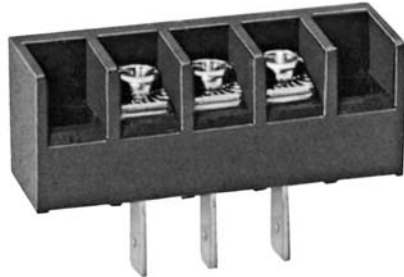
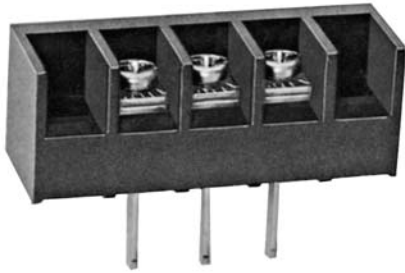


# G SERIES

## TERMINAL BLOCKS



### DESCRIPTION

Tri-barrier, Single Row Terminal Blocks

### ELECTRICAL RATING

• 300 Volts, 20 Amps

### CONSTRUCTION

- Terminals** • Brass, Bright Tin Plated
- Screws** • Binder Head, 6 - 32 x 1/4" Steel, Zinc Plated
- Pressure Clamp, 6 - 32 x 5/16" Steel Zinc Plated, Wire Range #12 - #22 Solid or Stranded
- Molding** • Break Resistant Thermoplastic

### AGENCY APPROVALS

• UL recognized, File No. E95586

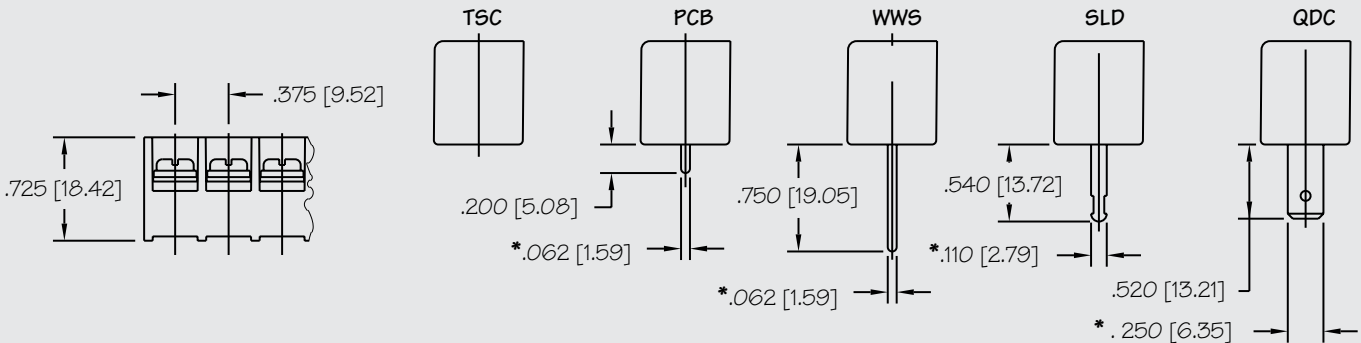


• CSA certified, File No. LR80483



CUSTOM CONNECTOR

## TERMINAL STYLES



\* ALL DESIGNATED DIMENSIONS ARE  
.031 IN OTHER DIRECTION

## OPTIONAL MOUNTING END DESIGNATION

